

**MEETING ALL YOUR
WATER & POLISH
MANAGEMENT
NEEDS**



**EURO KLEENCHILL
COMPACT SERIES**

The Affordable Solution



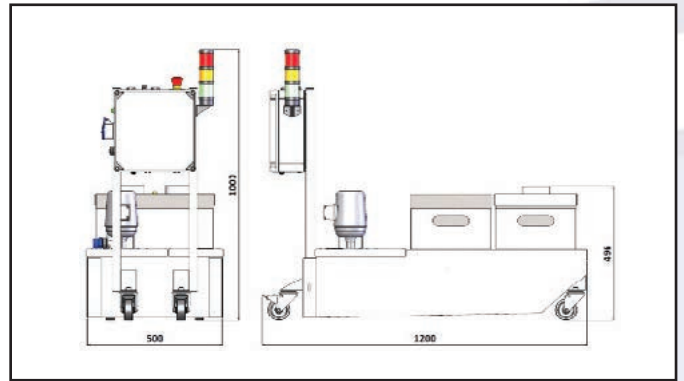
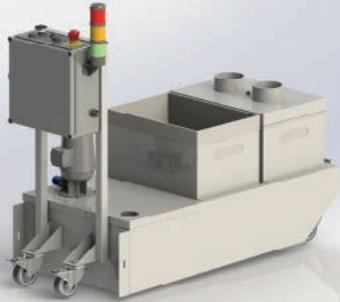
EUROPTICA
INTERNATIONAL LTD.

Visit: www.europtica.co.uk

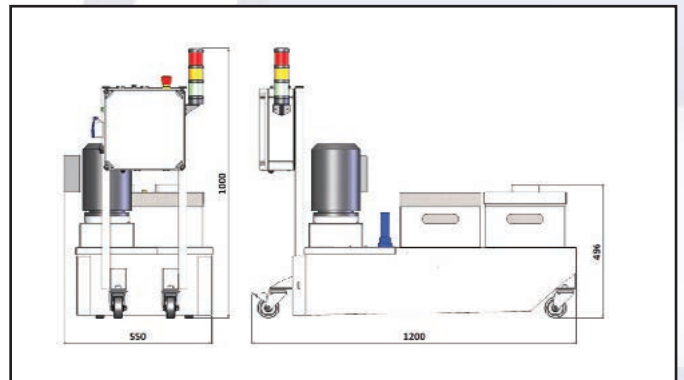
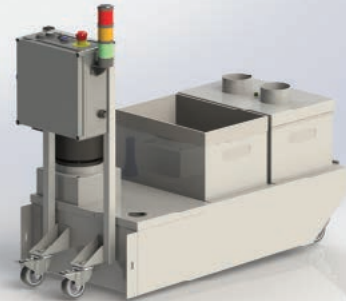
THE NEW EURO COMPACT

Generator & Edger Swarf Management Systems

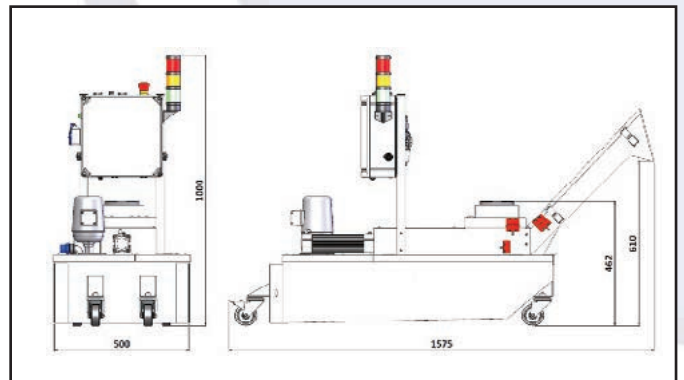
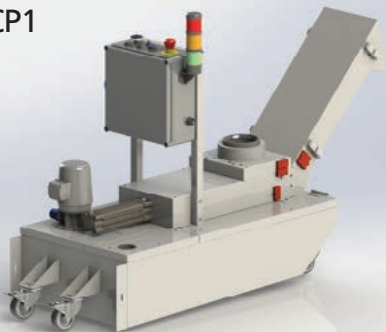
Compact EC1



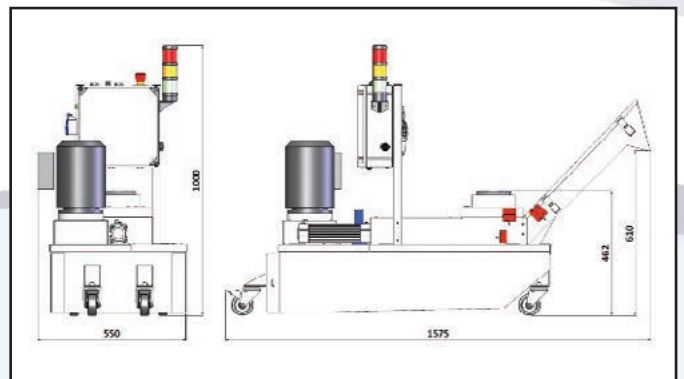
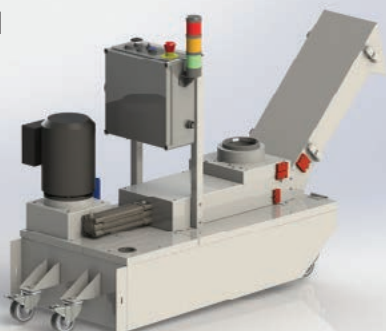
Compact EC2



Compact ECP1



Compact ECP1



The New Compact range provides a series of models in both the EC and ECP formats. Both utilise a Stainless Steel holding tank with a capacity of 90 Litres (23.77 US gal) offering optional flow rates of 30 – 80 l/min (7.9 – 21.13 US gal). They have additional chilling and filtration options that offer the flexibility of needs versus the control on budgetary requirements

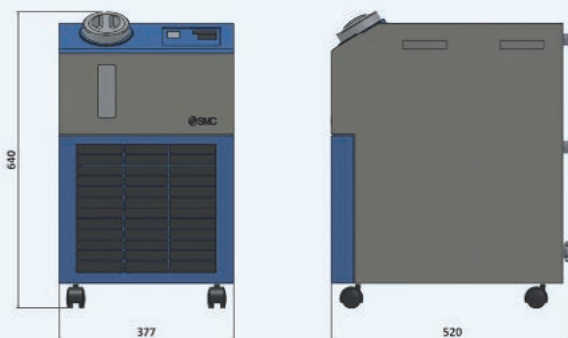
The EC (Euro Compact) models provide swarf collection via collection bins fitted with a filter bag to facilitate easy capture and disposal. The standard model is fitted with a single collection bin but is easily upgradable to suit the application.

The ECP (Euro Compactor) models compact the swarf waste as it is delivered, via a chute where it is dewatered to give dry disposal. This allows the system to pump the smaller particulate to either a central filtration system or through optional filters back to the generator.

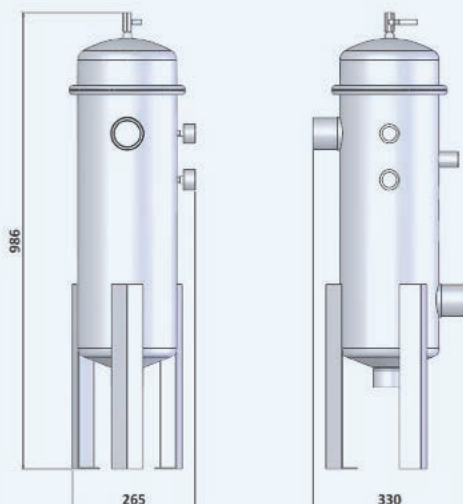
Electrical Supply: 220V-240V 50/60Hz

Optional: 208V-240V 50/60Hz

Optional Chiller



Optional Filter (Subject to Change)



System Specifications

EC Series

Pre Filter Std	500 micron
(Optional)	400 micron
	300 micron

Bins Std	1
	2

Flowrate	30 l/min
	50 l/min
	80 l/min

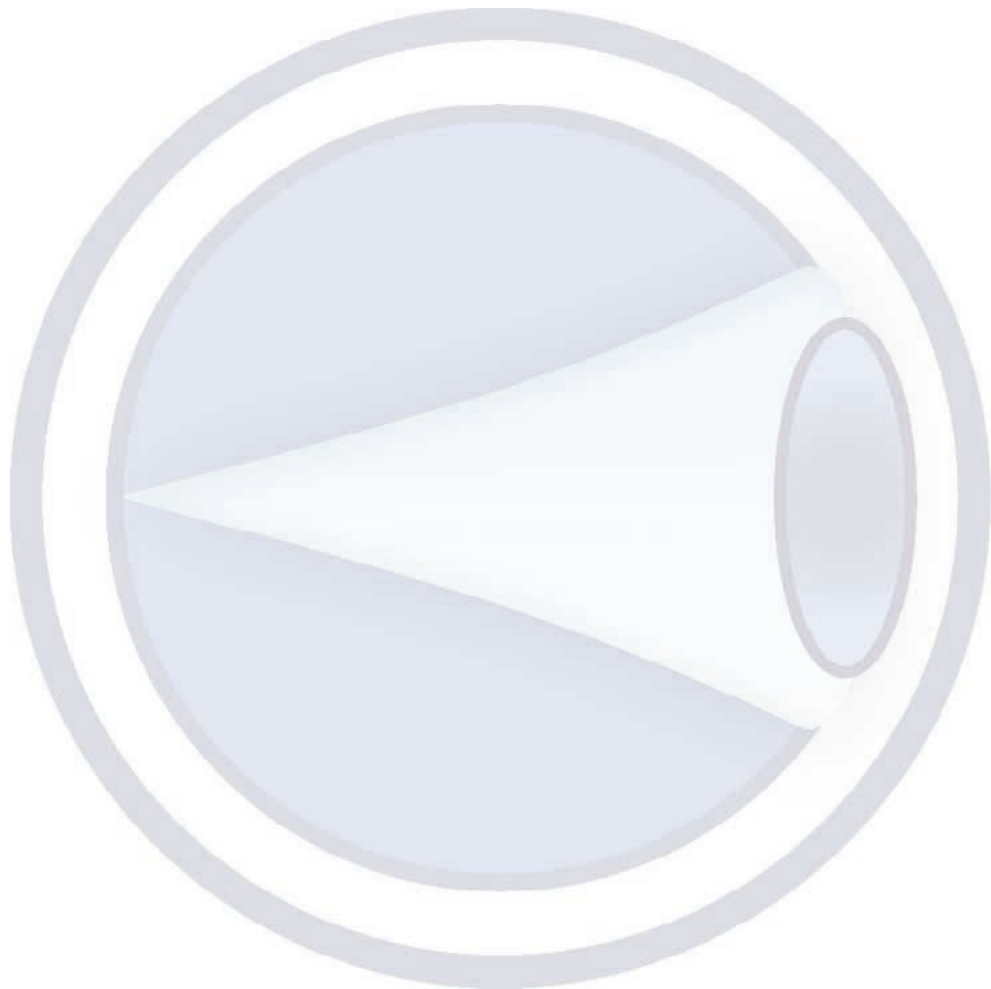
ECP Series

Flowrate	30 l/min
	50 l/min
	80 l/min

Options

Chiller	1100 watts
(Optional) to	2100 watts

Post Filter Std	400 micron
(Optional)	300 micron
	200 micron



EUROPTICA
INTERNATIONAL LTD.

4 Rook Tree Farm, Hulcote, Milton Keynes, MK17 8BW, England
Tel: +44 (0)1908 281578 **Fax:** +44 (0)1908 583704
Email: euoptica@euoptica.com **Web:** <http://www.euoptica.co.uk>