



2G Surface Generator

Compact 3-axis generator for all organic materials.

- Dry cut technology and extended range
- Compact, ergonomic design
- Automatic lens cribbing and pin-beveling
- Cuts lap tools
- Fully interfaceable



Dry Cut Technology and Extended Range

Exact prescriptions are generated free of elliptical error in a range of +6.00 diopters to -30.00 diopters.

Compact, Ergonomic Design

Easy table top mounting. Produce a variety of lens curves with a minimal space requirement. Simple loading, unloading and processing with a touch of a button.

Complete Lens Processing

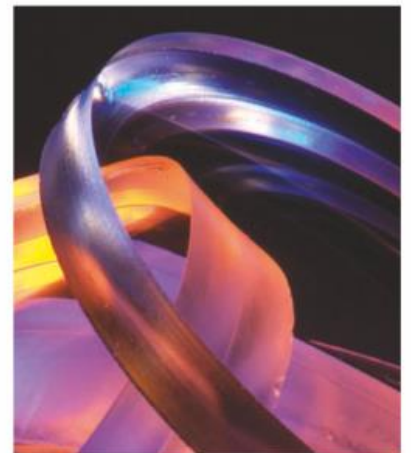
Surface generation, lens cribbing and pin-beveling in one process step.

Lap tools

Processes plastic or foam laps to match every surface in its range. Software suggests best lap for the required center removal.

Interface

Easy connectivity to any 3rd party lab management software.

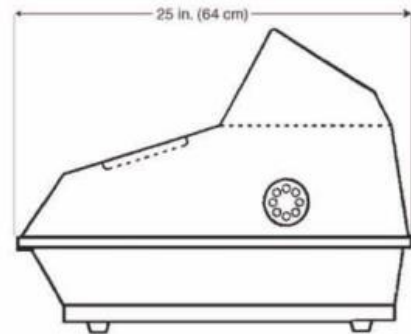


(+44) 161 926 8884 Omega LED Ltd



2G Surface Generator

A reliable, fast, and versatile generating center for all plastic, hi index, polycarbonate and Trivex lenses, the 2G provides simplified, push button operation in a very small space. The efficient, dry cut technology means ease of use and environmentally friendly operation. 2G, backed by the industry's most reliable service and support team.



National Optronics Equipment
American made; serviced and maintained worldwide

Additional Features

- Comes complete with vacuum system and accessory kit
- One year parts and labor warranty
- Installation and training included
- Processes all lens materials with same cutter

Range

- Lens Curve: +6.00 diopters to -30.00 diopters
- Lap Curve: -6.00 diopters to +30.00 diopters
- Cylinder: 12.00 diopters
- Prism: 12.00 diopters
- Saddleback: +6.00 diopters to -6.00 diopters
- Maximum blank: 90mm (blocked on geometric center)

Options

- Barcode reader

Communications

- OMA/VCA compatible
- Stand alone

Facilities

- Power: 115 VAC 60Hz, 1500 W; 230 VAC 50Hz, 1500W
- Height: 19" (48.0 cm)
- Depth: 25.0" (64.0 cm)
- Width: 30.0" (75.0 cm)
- Weight: 110 lbs (50 kg)



(+44) 161 926 8884 Omega LED Ltd